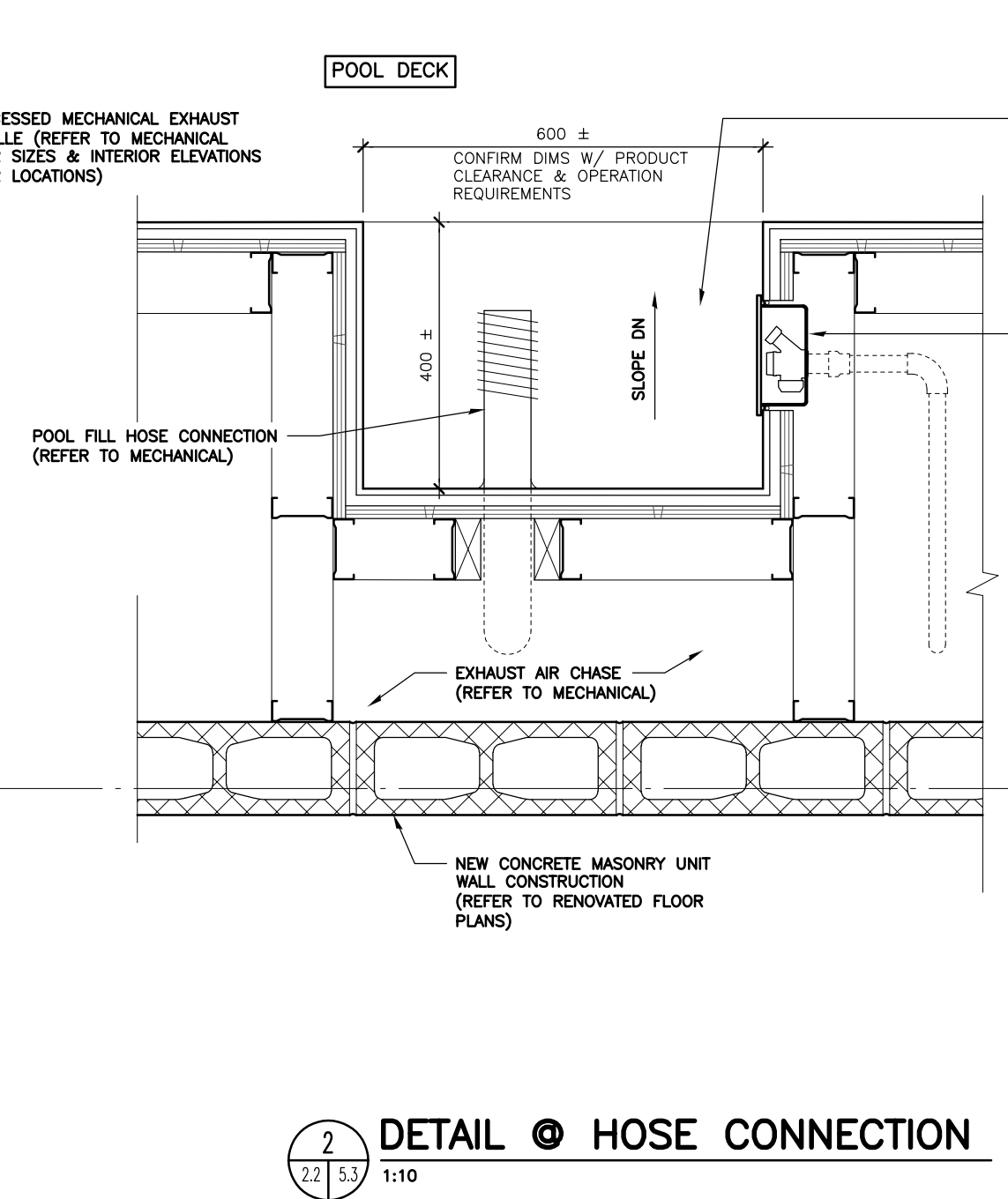
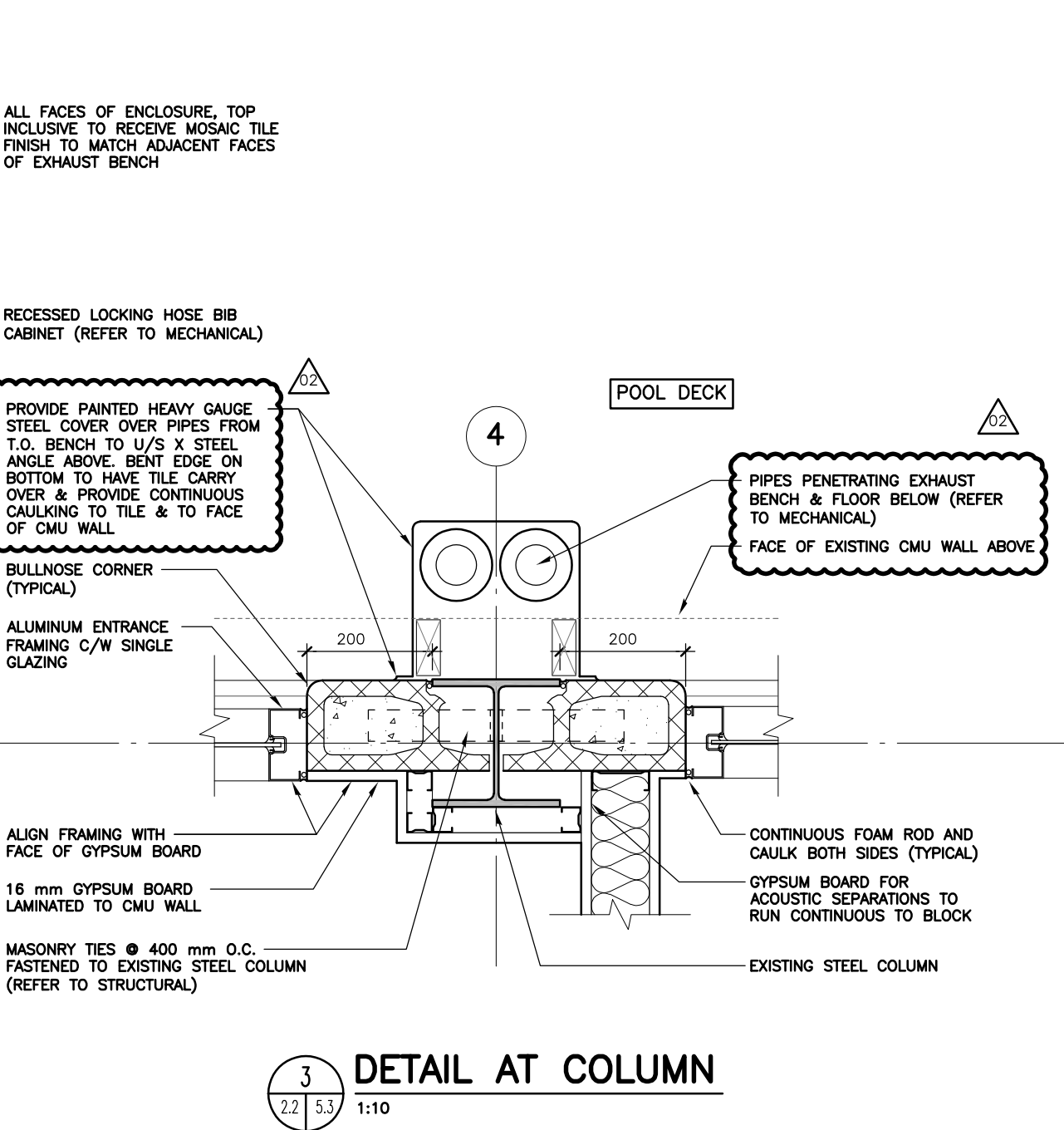


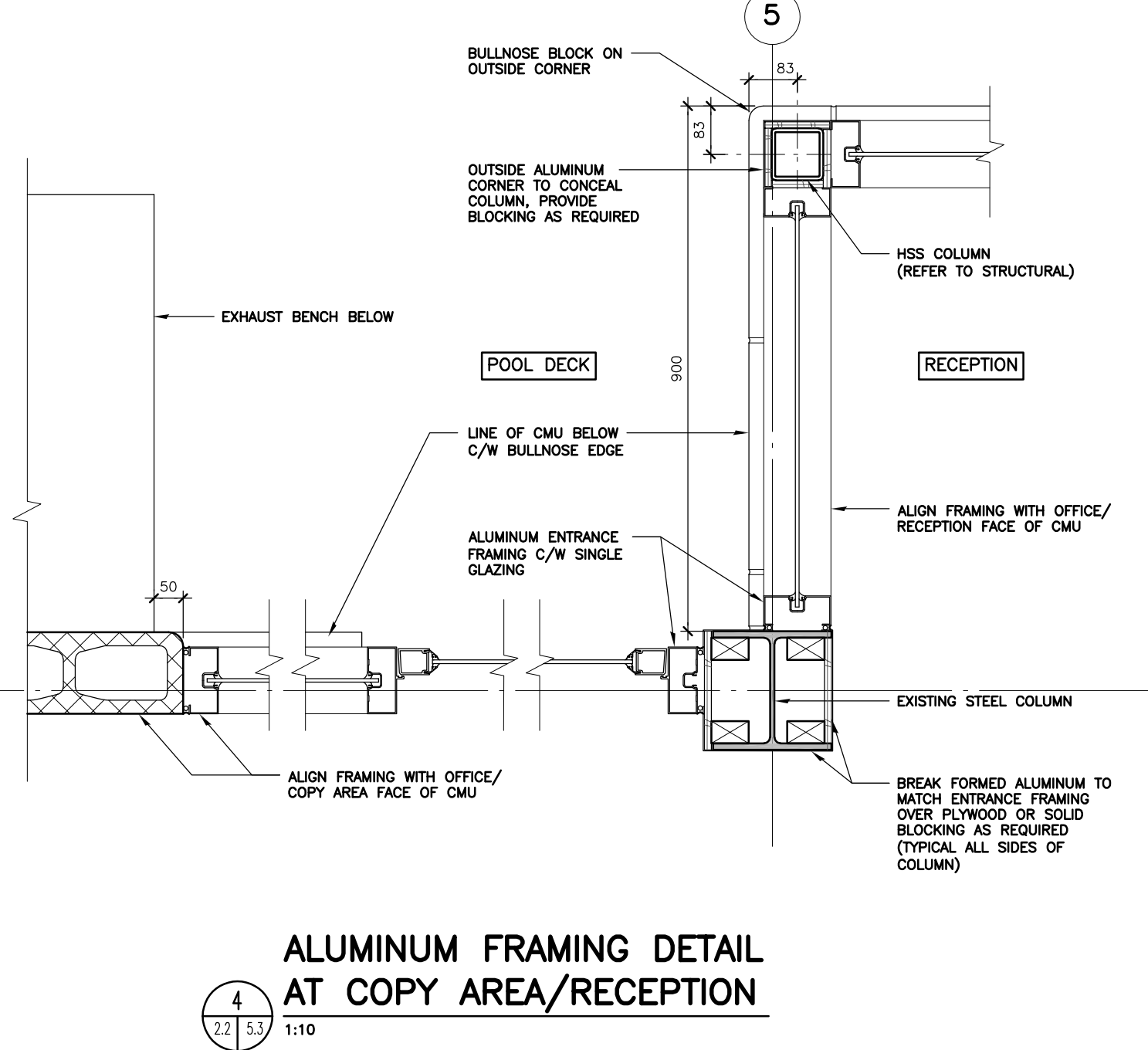
1 22 53 1:10  
DETAIL 1 EXHAUST BENCH



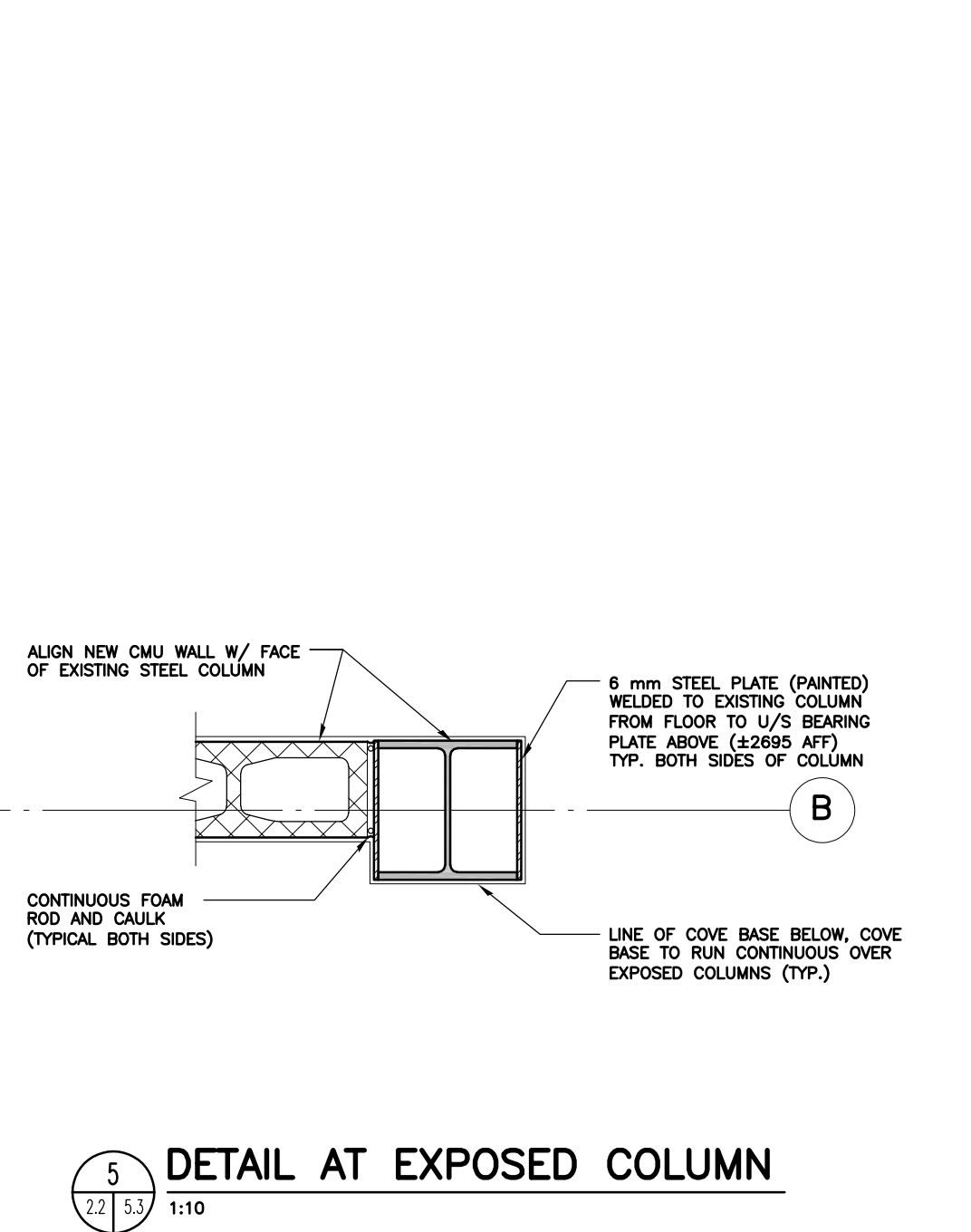
2 22 53 1:10  
DETAIL 2 HOSE CONNECTION



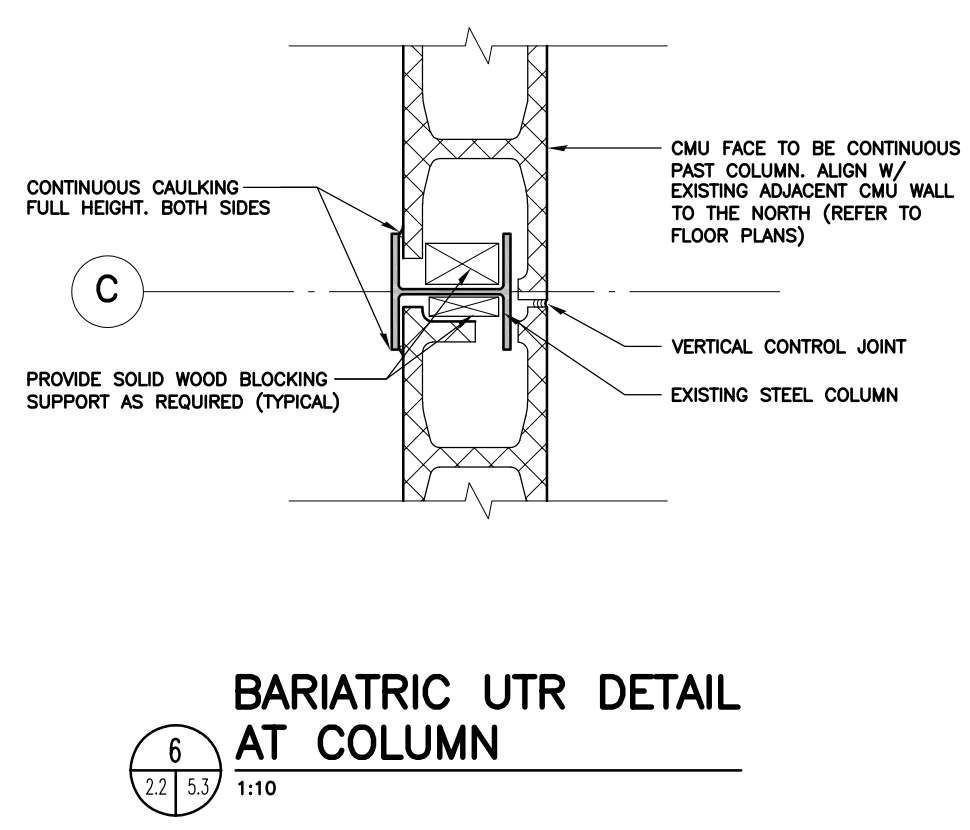
3 22 53 1:10  
DETAIL 3 AT COLUMN



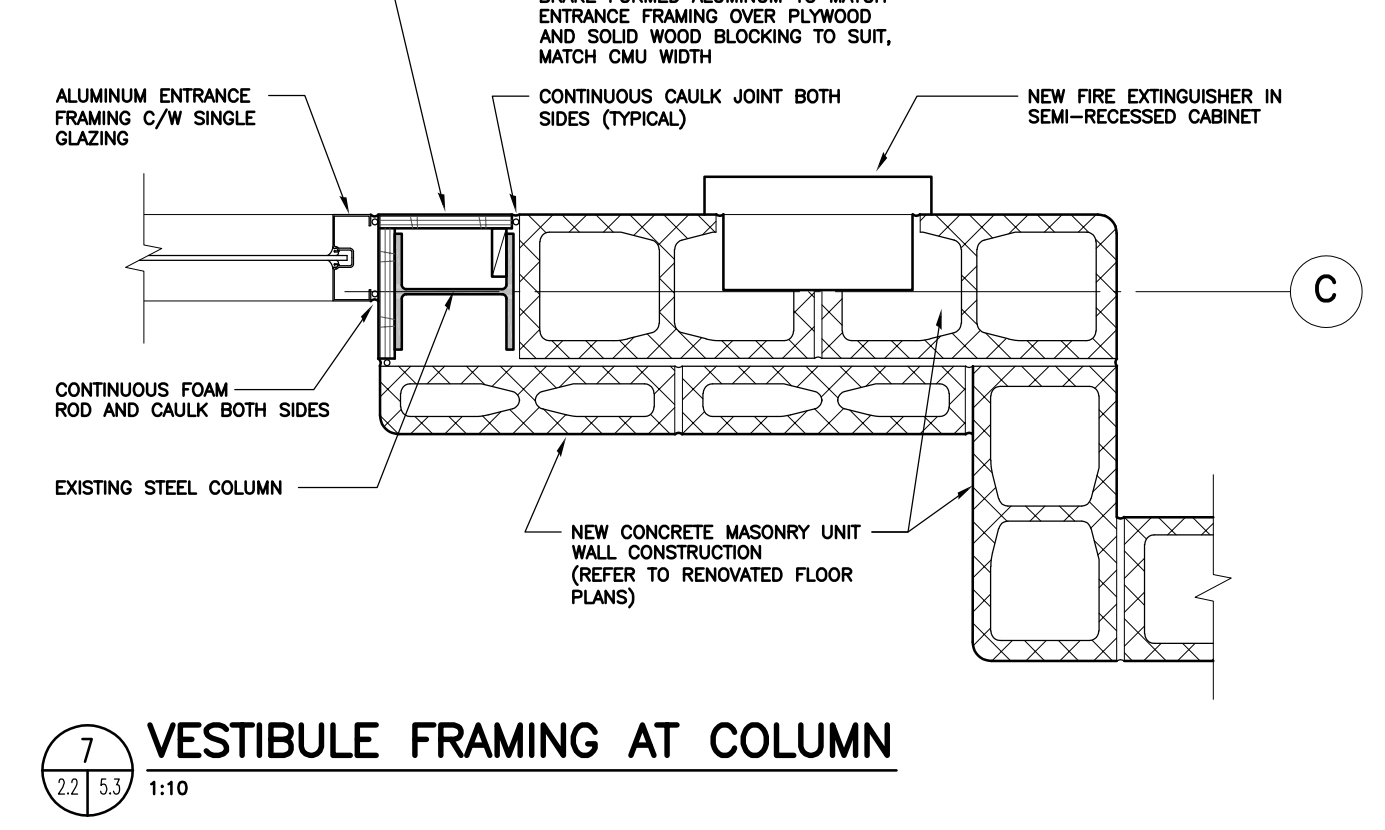
4 22 53 1:10  
ALUMINUM FRAMING DETAIL AT COPY AREA/RECEPTION



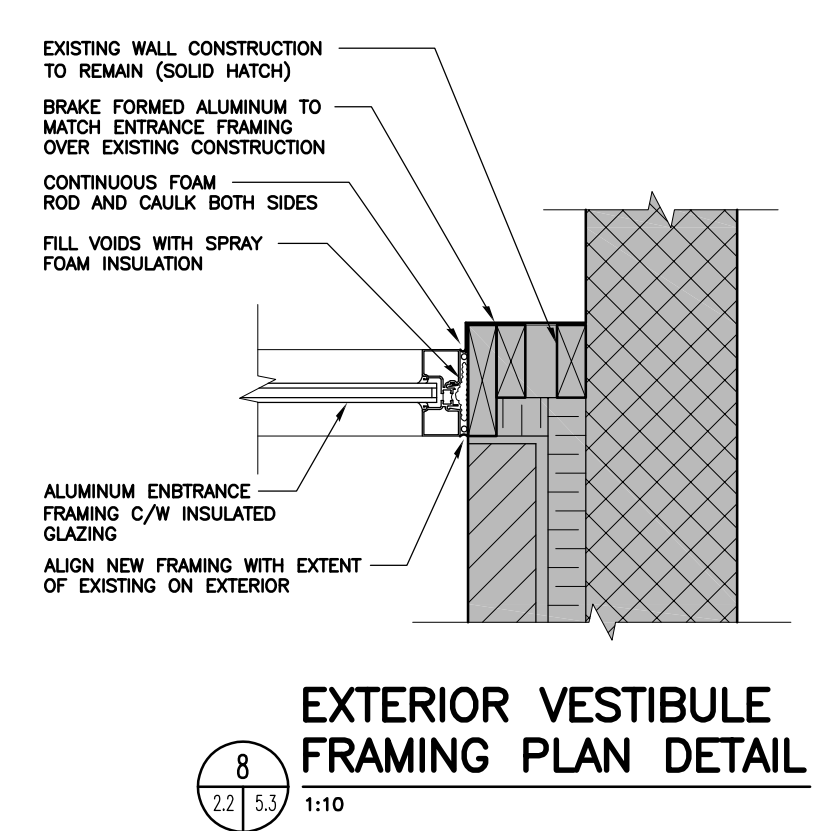
5 22 53 1:10  
DETAIL 5 AT EXPOSED COLUMN



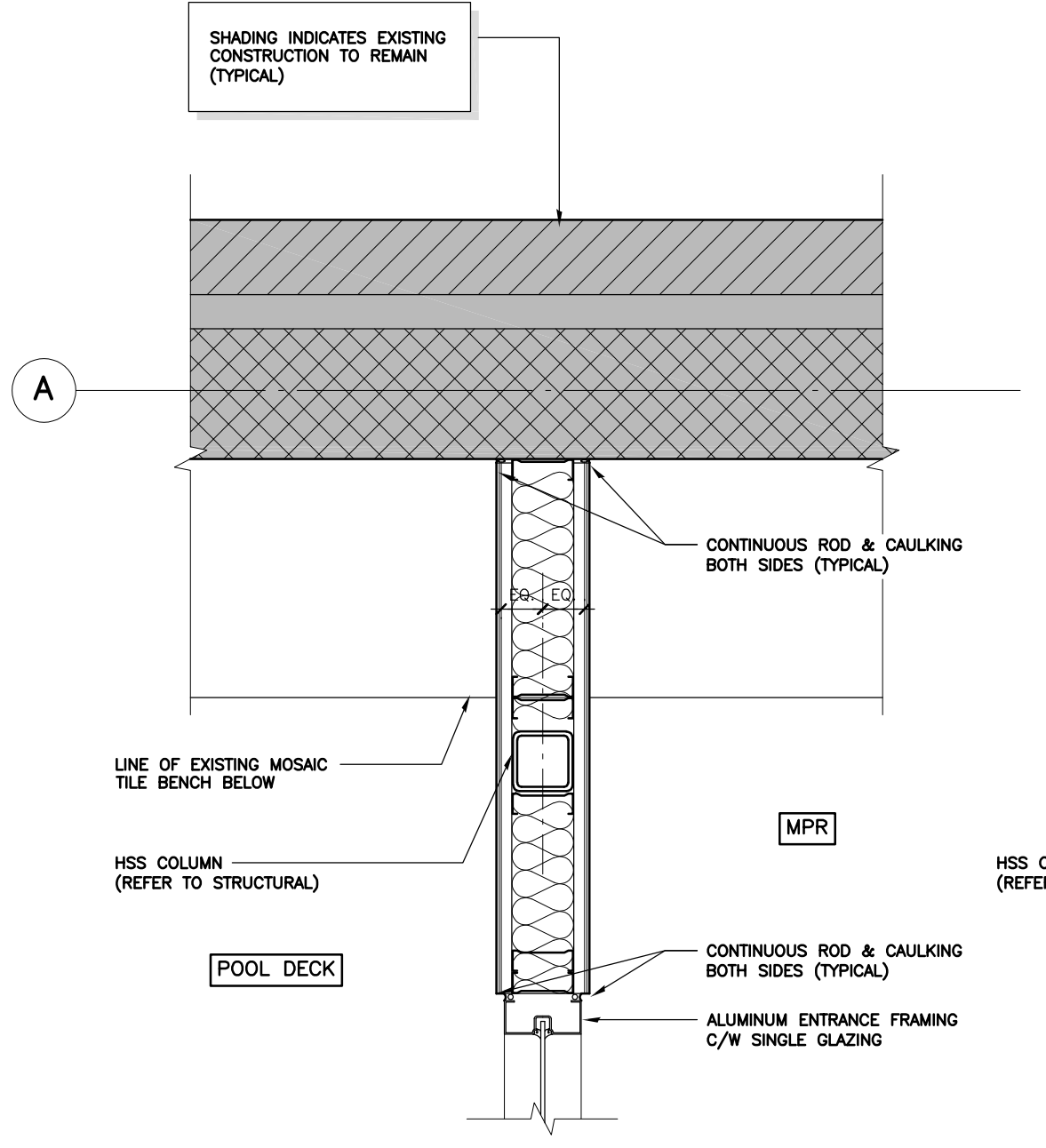
6 22 53 1:10  
BARIATRIC UTR DETAIL AT COLUMN



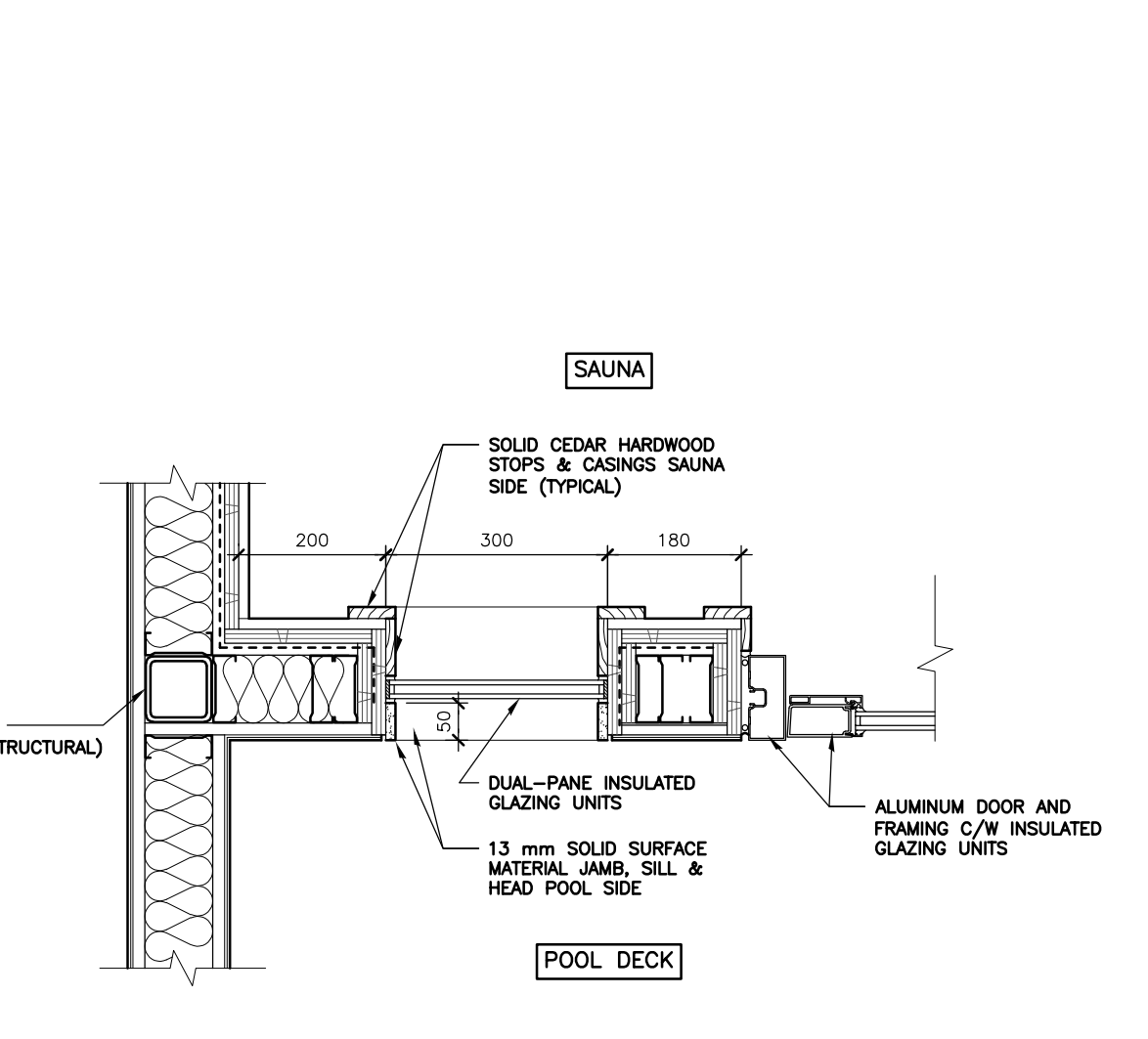
7 22 53 1:10  
VESTIBULE FRAMING AT COLUMN



8 22 53 1:10  
EXTERIOR VESTIBULE FRAMING PLAN DETAIL



9 22 53 1:10  
PLAN DETAIL AT MPR GLAZING  
NOTE: REFER TO CONTRACT DELETE NO.1

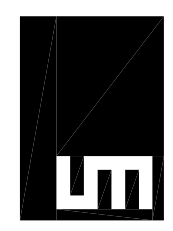


10 22 53 1:10  
PLAN DETAIL AT SAUNA ENTRY  
NOTE: REFER TO CONTRACT DELETE NO.1

02	13/06/2022	ADDENDUM #06	JF
01	21/06/2022	ISSUED FOR CONSTRUCTION	JF
No.	Date	Issue / Revision	By

Drawn By: DN  
Printing Date: JULY 13, 2022

Drawings and specifications, as Instruments of service are the property of the architects, the copyright in the same being reserved to them. No reproduction may be made without the permission of the architects, and when made, must bear their names. All prints to be returned.  
The contractor is to verify dimensions and data noted herein with conditions on the site and is held responsible for reporting any discrepancy to the architects for adjustment.



LM Architectural Group  
500-136 Market Ave  
Winnipeg, Manitoba, Canada R3B 0P4  
t: (204) 942.0681 f: (204) 943.8676  
www.lm-architects.com

**CITY OF WINNIPEG  
BONIVITAL POOL RENEWAL**

1215 Archibald St, Winnipeg, MB.

**PLAN DETAILS AND  
SECTION DETAILS**